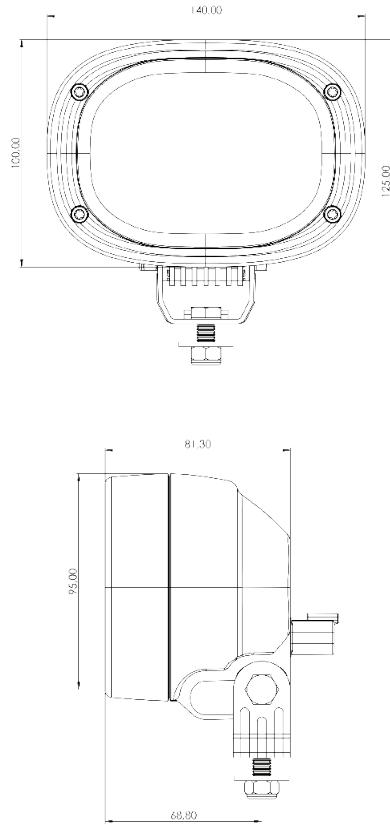




1014 Halogen



1014 Halogen

This rectangular shaped work light can be used in a number of applications to provide usable light on surface or underground machines. The vibration dampened housing option can extend the life of the bulb and coupled with the corrosion resistant coating ensures this light withstands the harshest of environments. The 1014 Halogen is available with the additional option of a side mount, allowing this work light to be installed in a multitude of locations.



Light Pattern: Symmetric, Asymmetric

Lens Material: Glass

Housing: PA6

Mounting Options: Hanging, Standing, Side, Flush, Dampened

Connectors: (DT04-2P) Built in Compression seal w/pigtail harness Spade (1/4" - 6.35mm)

BULB H3								VOLTAGE
25W	35W	50W	55W	55W LL	65W	65W HD	70W	12-48
▪	▪	▪	▪	▪		▪	▪	

LIGHT PATTERN				LENS COLOR			
SYMMETRIC	ASSYMMETRIC	HIGH	LOW	BLUE	AMBER	RED	YELLOW
▪	▪			▪	▪	▪	