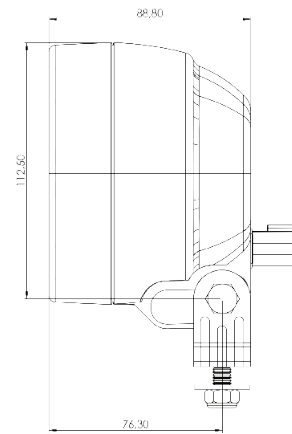
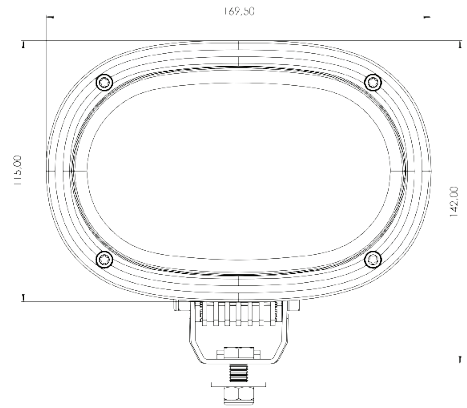




1117 Halogen



1117 Halogen

The TYRI 1117 is available in a Single Reflector (SR) and Dual Reflector (DR) model. This halogen work light is a powerful oval shaped halogen light which is ideal in a wide range of applications. The 1117 halogen is extremely adaptable with a variety of mounting options and lighting patterns.



Light Pattern: Symmetric, Asymmetric, High

Lens Material: Glass

Housing: PA6

Mounting Options:
Hanging, Standing, Flush, Dampened

Connectors:
(DT04-2P) Built in
Compression seal
w/pigtail harness
Spade (1/4" - 6.35mm)

| BULB H3 | | | | | | | VOLTAGE |
|---------|-----|-----|-----|--------|-----|--------|---------|
| 25W | 35W | 50W | 55W | 55W LL | 65W | 65W HD | 70W |
| ▪ | ▪ | ▪ | ▪ | ▪ | | ▪ | ▪ |
| | | | | | | | 12-48 |

| LIGHT PATTERN | | | | LENS COLOR | | | |
|---------------|-------------|------|-----|------------|-------|-----|--------|
| SYMMETRIC | ASSYMMETRIC | HIGH | LOW | BLUE | AMBER | RED | YELLOW |
| ▪ | ▪ | ▪ | | ▪ | ▪ | ▪ | ▪ |