



0909 Compact



0909 Compact

PRODUCT INFORMATION:

The 0909 Compact is a cost effective LED light with a slim housing. It is the ideal replacement for halogen solutions as a first step in upgrading your machinery lighting. The 0909 Compact is UL certified and carries an IP rating of 69K.



EMC TESTED



IP 69K



VIBRATION TESTED



SALT SPRAY TESTED



UL RATED OPTIONAL

Operating Temp: -40° to 75°C

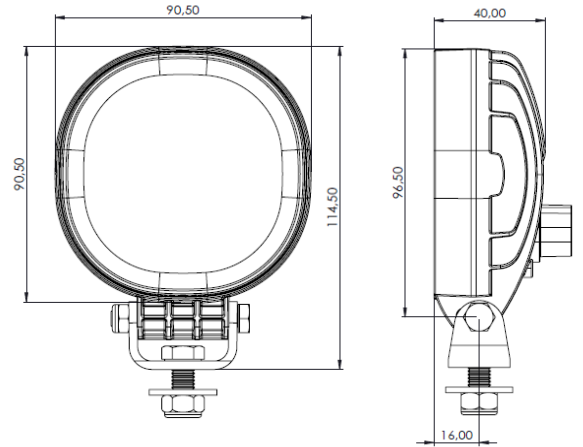
Light Pattern: Symmetric, Asymmetric, High, Spot, Fog

Lens Material: Plastic

Housing: Cast Aluminium

Mounting Options: Hanging, Standing, Side

Connector: (DT04-2P) Built in



LUMEN OUTPUT		Number of LED'S	VOLTAGE		AMP DRAW		Power (Watts)	Colour Temp	CRI	EMC EN55025 CLASS	IP 69K	Vibration 5-2000hZ 3 Axis	Salt Spray ASTM B117	UL Rated Optional
Theoretical	Effective		Machine	Operating Range	12 Volts	24 Volts								
900	750	4	12-80	9 108	1.2	0.6	14	5700	70	5	●	8 Grms	● *	●

* Pending