



0909



0909

PRODUCT INFORMATION:

The 0909 is a compact and flexible lighting solution. Available with multi-volt (9V to 108V) or single volt options, it has a contemporary design which compliments any machine. A practical and small light, the 0909 is also available as an E-Approved rated model and can be mounted in a variety of locations on your machine.



EMC TESTED



IP 69K



VIBRATION TESTED



SALT SPRAY TESTED



E RATED OPTIONAL

Operating Temp: -40° to 75°C

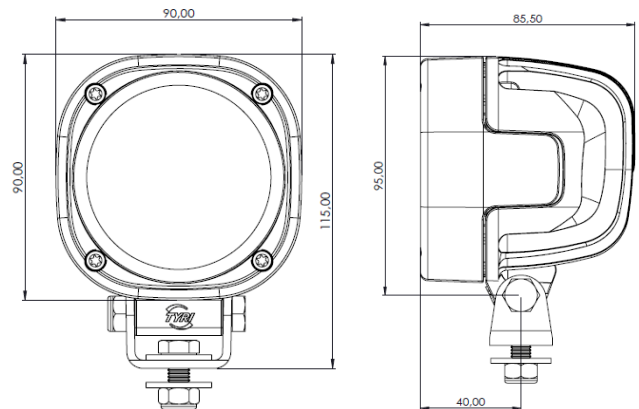
Light Pattern: Symmetric or Asymmetric

Lens Material: Plastic

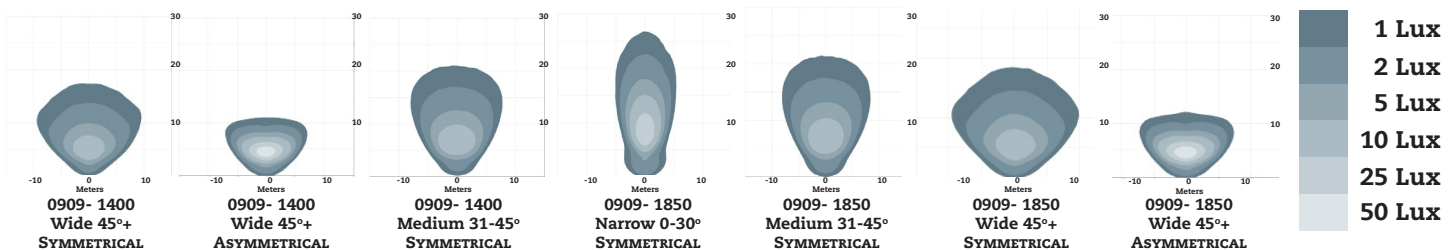
Housing: Cast Aluminium

Mounting Options:
Hanging, Standing, Side

Connector: (DT04-2P) Built in



LIGHT BEAM PATTERNS:



LUMEN OUTPUT		Number of LED'S	VOLTAGE		AMP DRAW		Power (Watts)	Colour Temp	CRI	EMC EN55025 CLASS	IP 69K	Vibration 5-2000Hz 3 Axis	Salt Spray ASTMB117	E-Rated Optional
Theoretical	Effective		Machine	Operating Range	12 Volts	24 Volts								
1800	1400	6	12	9	16	1.8		22	5700	70	5	●	8 Grms	●
1800	1400	6	24	18	32		0.9	22	5700	70	5	●	8 Grms	●
2250	1850	6	12	9	16	2.3		29	5700	70	5	●	8 Grms	●
2250	1850	6	24	18	32		1.2	29	5700	70	5	●	8 Grms	●
1800	1400	6	12-80	9	108	2.0	1.0	24	5700	70	TBD	●	8 Grms	●