



1010 Diffused







1010 Diffused

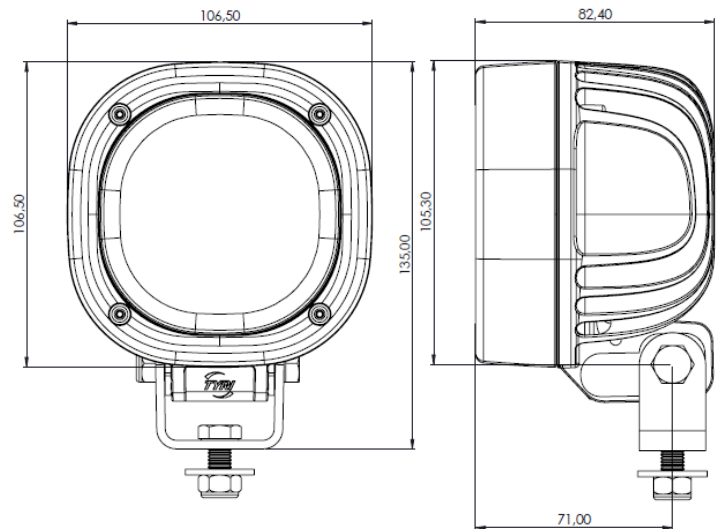
PRODUCT INFORMATION:

Designed for flexibility and durability, the 1010 Diffused LED work light is ideal for a wide variety of applications, including when you are working in a confined area. The milky, white lens diffuses and disperses the light in a uniform pattern over almost 180° and 2m in distance, making it a light which is easy to work with and free from glare.

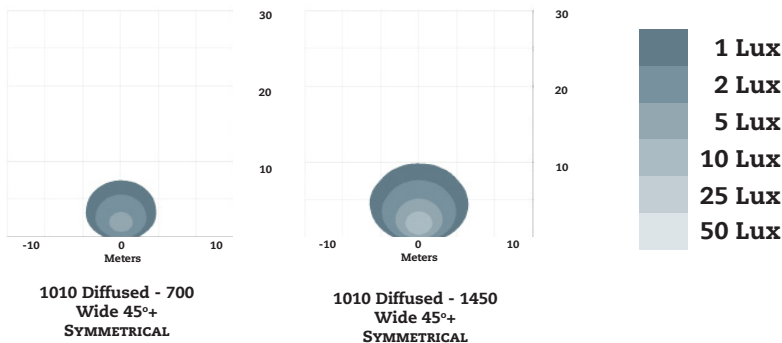


-  EMC TESTED
-  IP 69K
-  VIBRATION TESTED
-  SALT SPRAY TESTED

Operating Temp: -40° to 75°C
 Light Pattern: Symmetric
 Lens Material: Plastic
 Housing: Cast Aluminium
 Dampened
 Mounting Options:
 Hanging, Standing, Side
 Connector: (DT04-2P) Built in



LIGHT BEAM PATTERNS:



LUMEN OUTPUT		Number of LED'S	VOLTAGE		AMP DRAW		Power (Watts)	Colour Temp	CRI	EMC EN55025 CLASS	IP 69K	Vibration 5-2000Hz 3 Axis	Salt Spray ASTMB117
Theoretical	Effective		Machine	Operating Range	12 Volts	24 Volts							
900	700	4	12-48	9 60	1.4	0.7	17	5700	70	5	●	10 Grms	●
1800	1450	8	12-48	9 60	2.5	1.3	30	5700	70	5	●	10 Grms	●