



1010 Flush

1400/1450/1850/2500



1010 Flush

1400/1450/1850/2500

PRODUCT INFORMATION:

Where the requirement is to have the light flush to the vehicle, and where there is limited space for air flow, the TYRI 1010 Flush mounted light offers a unique solution. Without the need for a recess hole, this light fastens to the surface of the vehicle providing a sleek and clean solution. It uses the metal of the machine to create a cooling effect to help keep the light at an effective temperature.



EMC TESTED



IP 69K



VIBRATION TESTED



SALT SPRAY TESTED



UL RATED OPTIONAL

Operating Temp: -40° to 75°C
-40°C to 85°C

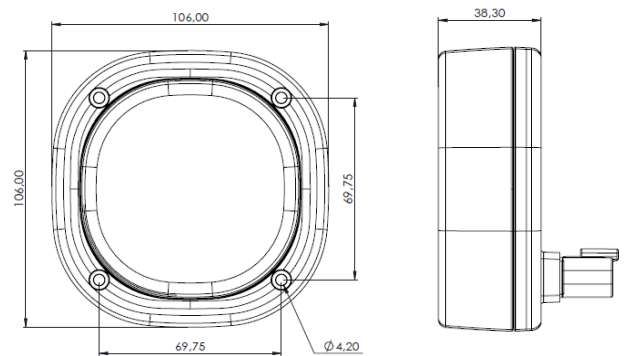
Light Pattern: Symmetric,
Asymmetric, High, Spot, Fog

Lens Material: Plastic, Glass

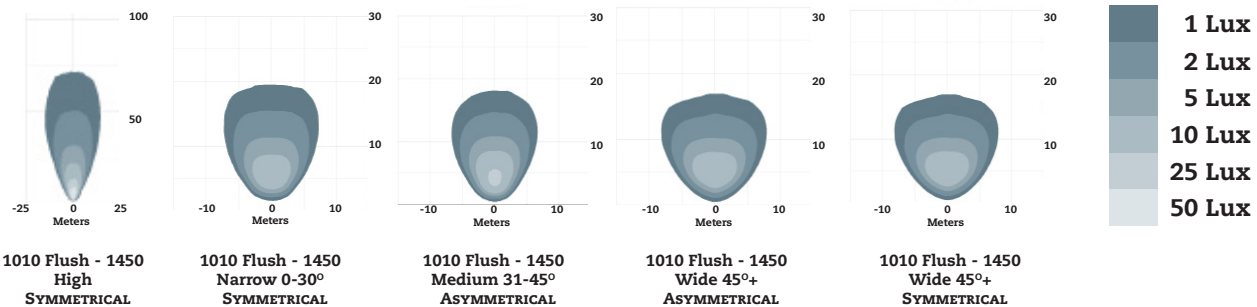
Housing: Cast Aluminum

Mounting Options:
Hanging, Standing, Side

Connector: (DT04-2P) Built in



LIGHT BEAM PATTERNS:



LUMEN OUTPUT		Number of LED'S	VOLTAGE		AMP DRAW		Power (Watts)	Colour Temp	CRI	EMC EN55025 CLASS	IP 69K	Vibration 5-2000Hz 3 Axis	Salt Spray ASTM B117	UL Rated Optional
Theoretical	Effective		Machine	Operating Range	12 Volts	24 Volts								
1800	1450	8	12-48	9 60	2.5	1.3	30	5700	70	5	●	10 Grms	●	●
1800	1400	6	12	9 16	1.8		22	5700	70	5	●	10 Grms	●	●
1800	1400	6	24	18 32		0.9	22	5700	70	5	●	10 Grms	●	●
2250	1850	6	12	9 16	2.3		29	5700	70	5	●	10 Grms	●	●
2250	1850	6	24	18 32		1.2	29	5700	70	5	●	10 Grms	●	●
3000	2500	4	12-48	9 60	2.8	1.4	34	5700	70	4	●	10 Grms	●	