



**1010 Recess**

**1450**



# 1010 Recess

## 1450

### PRODUCT INFORMATION:

The 1010 Recess has a unique mounting option which makes it possible for this light to be fitted recessed into the vehicle. This feature allows the light to become integral to your machine's design, being flexible enough to mount in a wide variety of positions. The design of the cooling flanges, to the side of the light, makes it ideal for mounting in situations where space and air flow is restricted.



EMC TESTED



IP 69K



VIBRATION TESTED



SALT SPRAY TESTED



UL RATED OPTIONAL

Operating Temp: -40° to 75°C

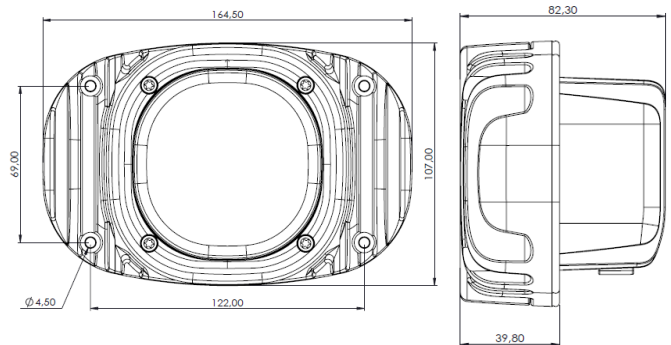
Light Pattern: Symmetric, Asymmetric, High, Spot, Fog

Lens Material: Plastic, Glass

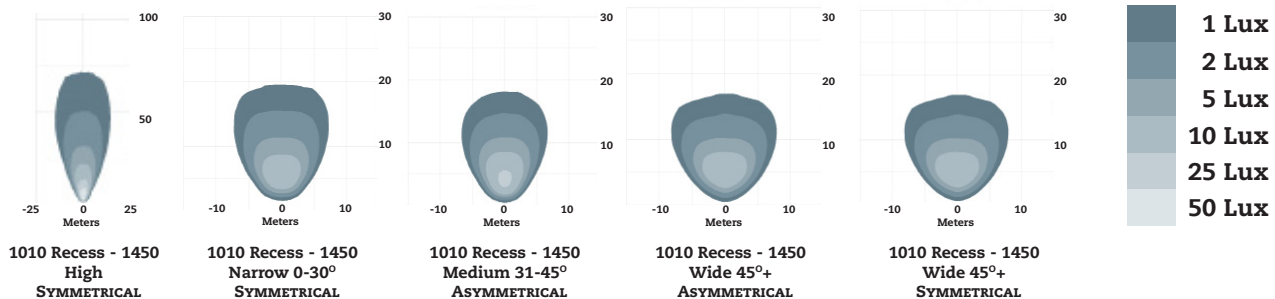
Housing: Cast Aluminium

Mounting Options: Hanging, Standing, Side

Connector: (DT04-2P) Built in



### LIGHT BEAM PATTERNS:



LUMEN OUTPUT		Number of LED'S	VOLTAGE		AMP DRAW		Power (Watts)	Colour Temp	CRI	EMC EN55025 CLASS	IP 69K	Vibration 5-2000hz 3 Axis	Salt Spray ASTMB117	UL Rated Optional
Theoretical	Effective		Machine	Operating Range	12 Volts	24 Volts								
1800	1450	8	12-48	9 60	2.5	1.3	30	5700	70	5	●	10 Grms	●	●