



1010 Swivel



1010 Swivel

PRODUCT INFORMATION:

The TYRI 1010 Swivel LED has a unique swivel side mounting allowing for adjustments to be made to the positioning of the work light. This provides you with the optimum amount of usable light and flexibility in a reliable and trusted work light.



EMC TESTED

Operating Temp: -40° to 75°C



IP 69K

Light Pattern: Symmetric
Asymmetric, High, Spot, Fog



VIBRATION TESTED

Lens Material: Plastic, Glass



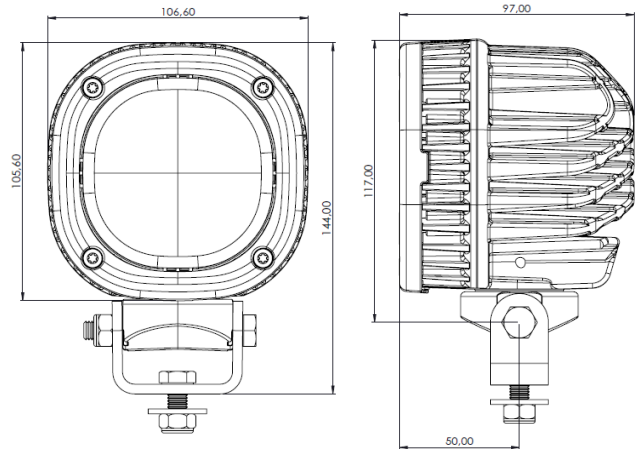
SALT SPRAY TESTED

Housing: Cast Aluminium

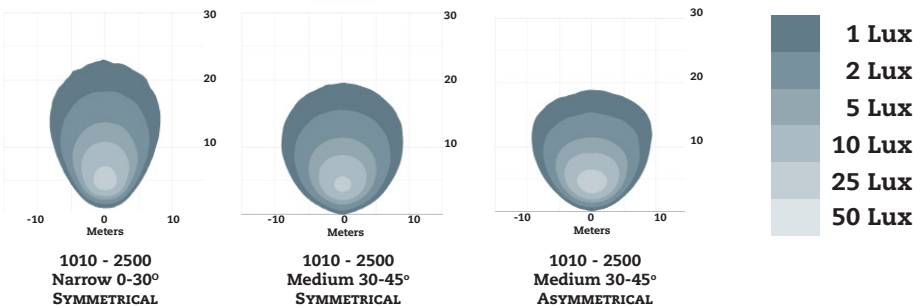
Dampened

Mounting Options:
Hanging, Standing, Side,
Swivel

Connector: (DT04-2P) Built in



LIGHT BEAM PATTERNS:



LUMEN OUTPUT		Number of LED'S	VOLTAGE		AMP DRAW		Power (Watts)	Colour Temp	CRI	EMC EN55025 CLASS	IP 69K	Vibration 5-2000Hz 3 Axis	Salt Spray ASTMB117
Theoretical	Effective		Machine	Operating Range	12 Volts	24 Volts							
3000	2500	10	12-48	9 60	3.2	1.6	38	5700	70	5	●	10 Grms	●