



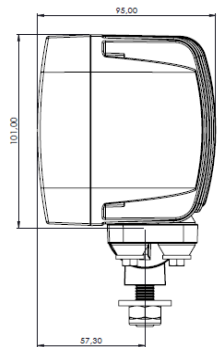
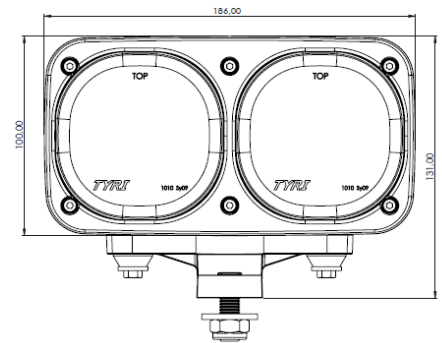
1010 Twin



1010 Twin

PRODUCT INFORMATION:

The TYRI 1010 Twin LED provides twice the light of the standard 1010. Its rectangular design is powered with two sets of 1010 series electronics generating an extremely high lighting output. With its unique design, this work light is able to house two separate lighting patterns and coloured lenses, ensuring this light is both adaptable and multipurpose for a variety of applications. The TYRI 1010 Twin LED housing is mounted to a heavy duty four post dampened bracket configuration, making it tough and durable.



EMC TESTED

Operating Temp: -40° to 75°C



IP 69K

Light Pattern: Symmetric
Asymmetric, High, Spot, Fog



VIBRATION TESTED

Lens Material: Plastic



SALT SPRAY TESTED

Housing: Cast Aluminium

Dampened

Mounting Options:
Hanging, Standing, Side

Connector: (DT04-2P) Built in

LUMEN OUTPUT		Number of LED'S	VOLTAGE		AMP DRAW		Power (Watts)	Colour Temp	CRI	EMC EN55025 CLASS	IP 69K	Vibration 5-2000hZ 3 Axis	Salt Spray ASTM B117
Theoretical	Effective		Machine	Operating Range	12 Volts	24 Volts							
3600	2100	16	12-48	9 60	5	2.5	60	5700	70	5	●	10 Grms	●