







1010 WhitePoint

1010 WhitePoint

PRODUCT INFORMATION:

The WhitePoint is a tighter spot light, in comparison to the WhiteBeam, and capable of projecting light over a long distance. This work light is suitable for applications requiring illumination at far distances.



-  EMC TESTED
-  IP 69K
-  VIBRATION TESTED
-  SALT SPRAY TESTED

Operating Temp: -40° to 75°C

Light Pattern: Spot

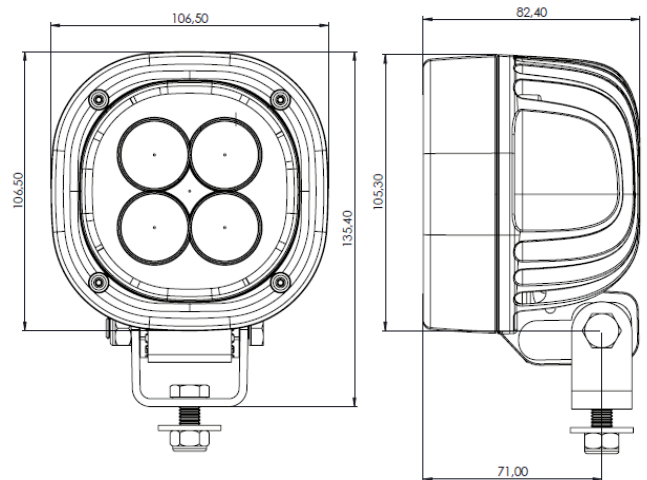
Lens Material: Plastic

Housing: Cast Aluminium

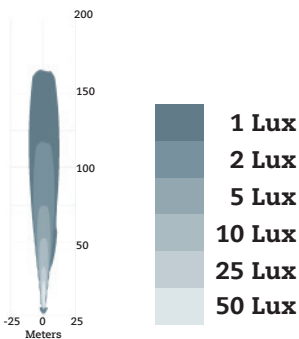
Dampened

Mounting Options:
Hanging, Standing, Side,
Flush

Connector: (DT04-2P) Built in



LIGHT BEAM PATTERNS:



1010 - WhitePoint
Spot
SYMMETRICAL

LUMEN OUTPUT		Number of LED'S	VOLTAGE		AMP DRAW		Power (Watts)	Colour Temp	CRI	EMC EN55025 CLASS	IP 69K	Vibration 5-2000Hz 3 Axis	Salt Spray ASTMB117
Theoretical	Effective		Machine	Operating Range	12 Volts	24 Volts							
900	700	4	12-48	9 60	1.4 0.6	17	5700	70	5	●	10 Grms	●	
1100	900	4	12-48	9 60	1.4 0.6	17	5700	70	5	●	10 Grms	●	