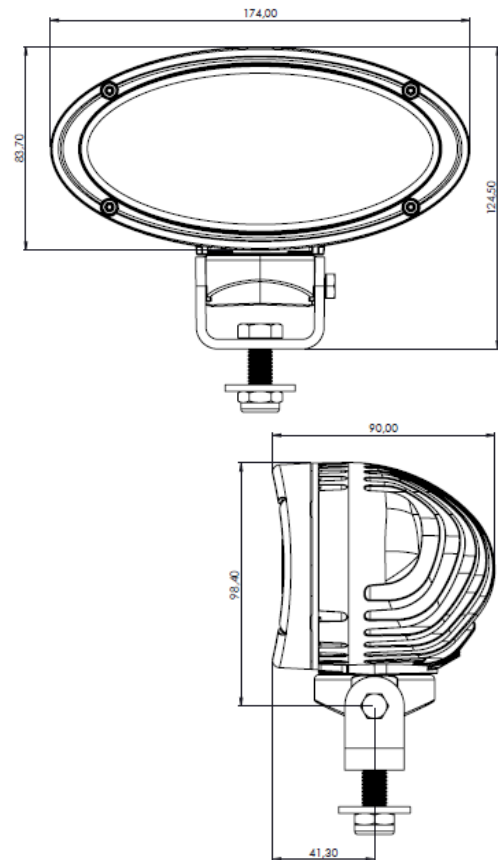




**1017**

## PRODUCT INFORMATION:

The slim, yet high output oval bezel design and swivel bracket of the TYRI 1017 LED makes this work light a must have throughout many industries. The 1017 LED provides an impressive 2400 effective lumen, with a mere 1.0 amp consumption at 48 volts, saving energy throughout the life of the machine.



EMC TESTED

Operating Temp: -40° to 75°C



IP 69K

Light Pattern: Symmetric, Asymmetric, High



VIBRATION TESTED

Lens Material: Plastic



SALT SPRAY TESTED

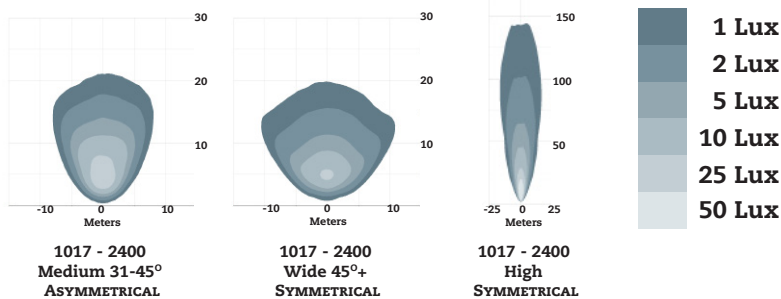
Housing: Cast Aluminium

Dampened

Mounting Options:  
Hanging, Standing, Swivel

Connector: (DT04-2P) Built in

## LIGHT BEAM PATTERNS:



LUMEN OUTPUT		Number of LED'S	VOLTAGE		AMP DRAW		Power (Watts)	Colour Temp	CRI	EMC EN55025 CLASS	IP 69K	Vibration 5-2000Hz 3 Axis	Salt Spray ASTM B117
Theoretical	Effective		Machine	Operating Range	12 Volts	24 Volts							
3500	2400	10	12-48	9 60	3.5	1.8	42	5700	72	5	●	10 Grms	●