



1313



1313

PRODUCT INFORMATION:

Powerful and adaptable with up to 7000 effective lumen, the 1313 is typically used on large construction and mining vehicles. This work light offers greater lumen to watt efficiency ratio and heavy duty housing, ensuring the 1313 delivers in both performance and durability.



EMC TESTED



IP 69K



VIBRATION TESTED



SALT SPRAY TESTED

Operating Temp: -40° to 85°C

Light Pattern: Symmetric, Asymmetric, High, Low

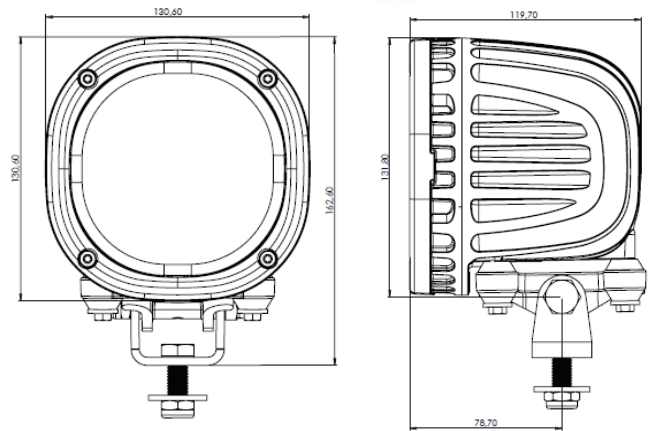
Lens Material: Plastic

Housing: Cast Aluminium

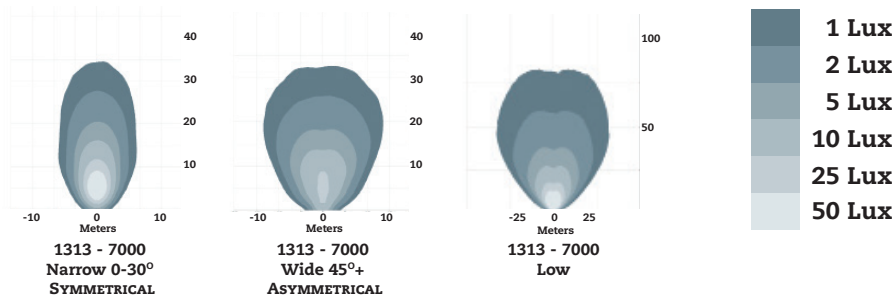
Dampened

Mounting Options:
Hanging, Standing, Side

Connector: (DT04-2P) Built in



LIGHT BEAM PATTERNS:



| LUMEN OUTPUT | | Number of LED'S | VOLTAGE | | | AMP DRAW | | Power (Watts) | Colour Temp | CRI | EMC EN55025 CLASS | IP 69K | Vibration 5-2000hZ 3 Axis | Salt Spray ASTM B117 |
|--------------|-----------|-----------------|---------|-----------------|----------|----------|----|---------------|-------------|-------|-------------------|-----------|---------------------------|----------------------|
| Theoretical | Effective | | Machine | Operating Range | 12 Volts | 24 Volts | | | | | | | | |
| 4500 | 3600 | 4 | 12-48 | 9 60 | 4 | 2 | 48 | 5700 | 70 | 4 | ● | 10 Grms * | ● * | |
| 6300 | 5000 | 7 | 12-48 | 9 60 | 5.2 | 2.6 | 62 | 5700 | 70 | 5 | ● | 10 Grms * | ● * | |
| 8900 | 7000 | 7 | 12-48 | 9 60 | 6.8 | 3.4 | 82 | 5700 | 70 | 4-5** | ● | 10 Grms * | ● * | |

* Pending

** EMC Class 5 with reflector, EMC Class 4 with refractor