



**D10 Swivel**



# D10 Swivel

## PRODUCT INFORMATION:

The D10 Swivel has streamline shape and a swivel side mounting bracket. This bracket enables the D10 Swivel to be easily adjusted into various positions to illuminate your work area. Delivering an effective lumen output of 2500 lumens, it is not only adaptable but also bright.



EMC TESTED



IP 69K



VIBRATION TESTED



SALT SPRAY TESTED

Operating Temp: -40° to 75°C

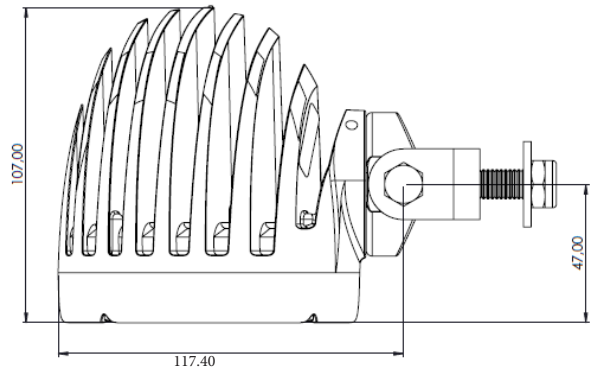
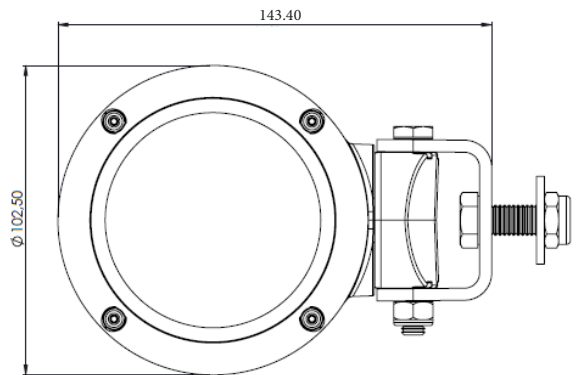
Light Pattern: Asymmetric

Lens Material: Plastic

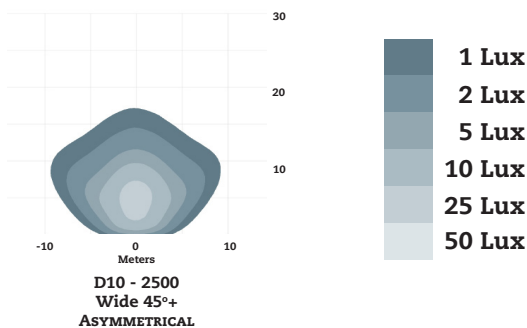
Housing: Cast Aluminum

Mounting Options:  
Side, Swivel

Connector: (DT04-2P) Built in



## LIGHT BEAM PATTERNS:



LUMEN OUTPUT		Number of LED'S	VOLTAGE		AMP DRAW		Power (Watts)	Colour Temp	CRI	EMC EN55025 CLASS	IP 69K	Vibration 5-2000hZ 3 Axis	Salt Spray ASTMB117
Theoretical	Effective		Machine	Operating Range	12 Volts	24 Volts							
3000	2500	10	12-48	9 60	3.2	1.6	42	5000	70	4	●	10 Grms	● *

\* Pending